

Loadbank 125 Meter Selection Process

Loadbank 125 MCCB Panel Board System

The Loadbank 125 metering facilities consist of DIN-rail mounted meters used within a housing which can fit up to 6 meters of four modules. The meter housing can be stacked top or bottom with facility to mount current transformers and fuses. We recommend that for applications with more than 6 outgoing meters the Loadbank 250 system with metering accessories should be used. For applications which require single phase metering please contact the sales office.

Panel-board enclosures

Description	Cat. no.
250A, 6 TP way	PB206YA
250A, 8 TP way	PB208YA
250A, 12 way	PB212YA
400A, 6 way	PB406YA
400A, 8 way	PB408YA
400A, 12 way	PB412YA
400A, 16 way	PB416YA

Description

Description	Cat. no.
Meter housing for up to 6 meters	PBYA2MB

Description

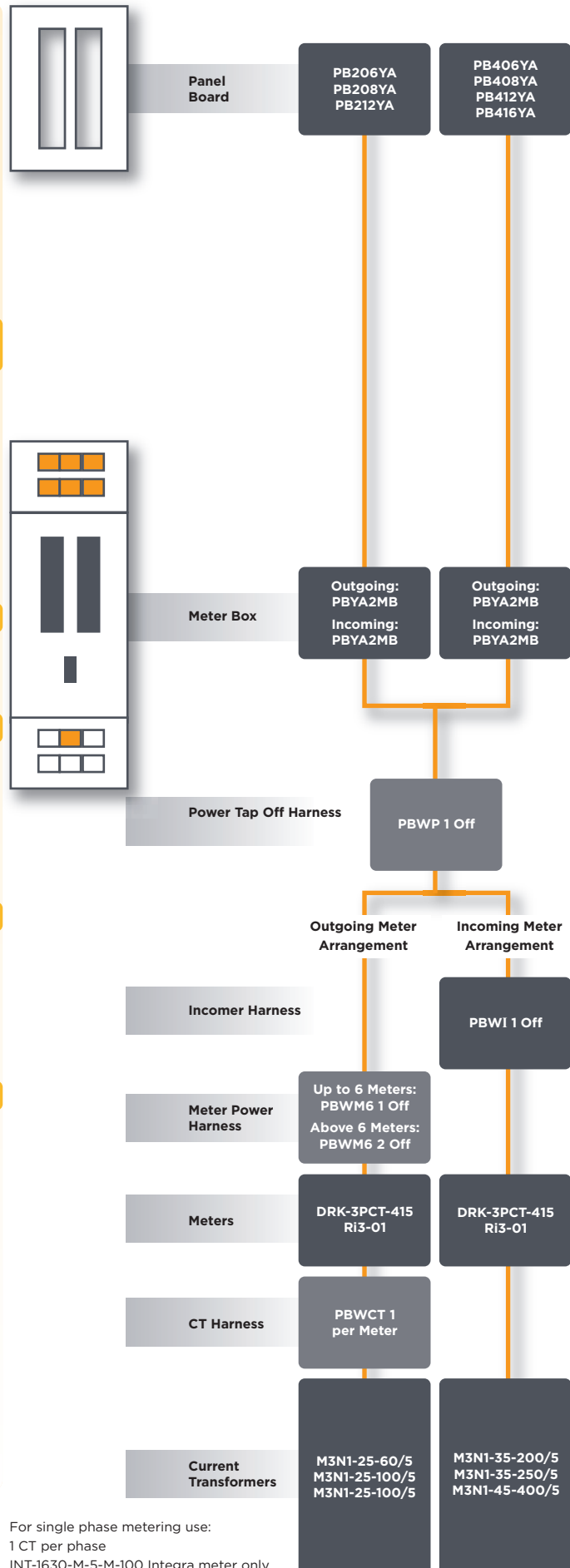
Description	Cat. no.
Incoming meter loom	PBWI
Voltage tap off loom for outgoing metering	PBWP
CT harness for 6 outgoing meters	PBWCT
Power loom for 6 outgoing meters	PBWM6

Description

Description	Cat. no.
Digital Multi-function meter with 1 pulse output and 1 Modbus output	RI3-01
Analogue kilowatt hour meter with one pulse output	DRK-3PCT-415

Description

Description	Cat. no.
3-in-1 60A current transformers	M3N1-25-60/5
3-in-1 100A current transformers	M3N1-25-100/5
3-in-1 125A current transformers	M3N1-25-125/5
3-in-1 200A current transformers	M3N1-35-200/5
3-in-1 250A current transformers	M3N1-35-250/5
3-in-1 400A current transformers	M3N1-45-400/5



For single phase metering use:
1 CT per phase
INT-1630-M-5-M-100 Integra meter only